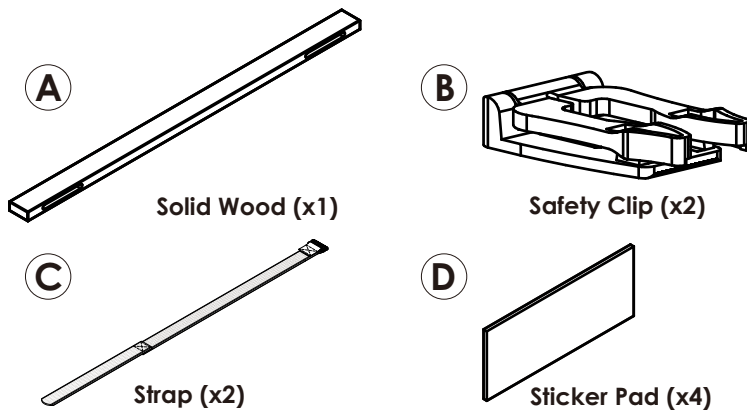


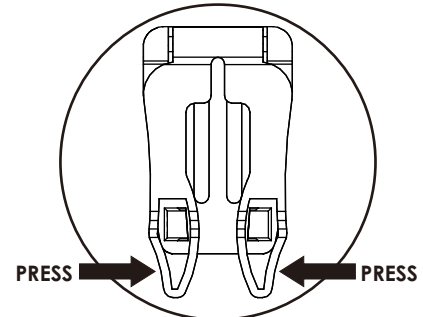
- **KEEP INSTRUCTIONS FOR FUTURE USE**
- **READ** all instructions **BEFORE** assembly and **USE** of the product.
- Check after assembly and periodically during use at least once a month.
- Adult assembly required. Hardware contains small parts.
- Choking Hazard: unassembled parts may be a choking hazard.
- **ENSURE** EZ Fit Adaptor is tight and secure against the Banister Post and **CANNOT** be moved before you attach any Safety Gate.
- **ENSURE** that you use **ONLY** an **ASTM F1004-13** Certified Safety Gate with this product.

Your EZ gate is designed to fit a maximum diameter post of 16". Should your post be larger than 16", please call us for a longer strap.

PART LIST & HARDWARE

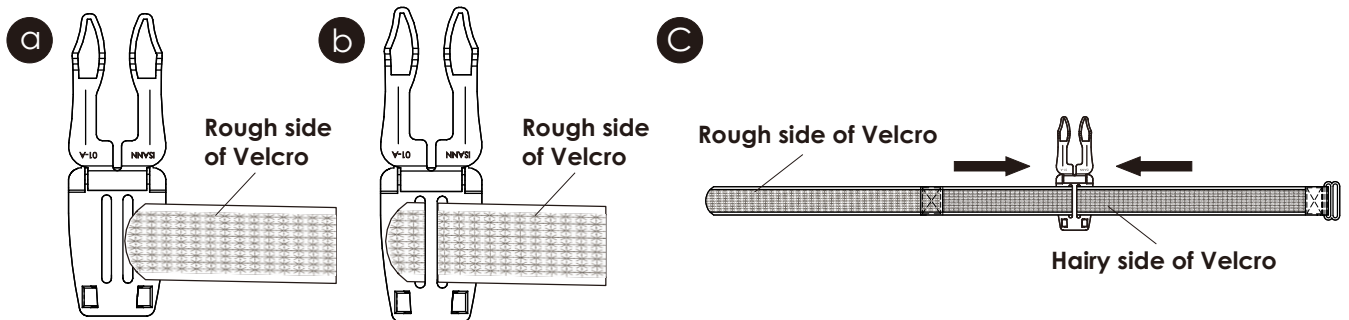


CLIP OPENING

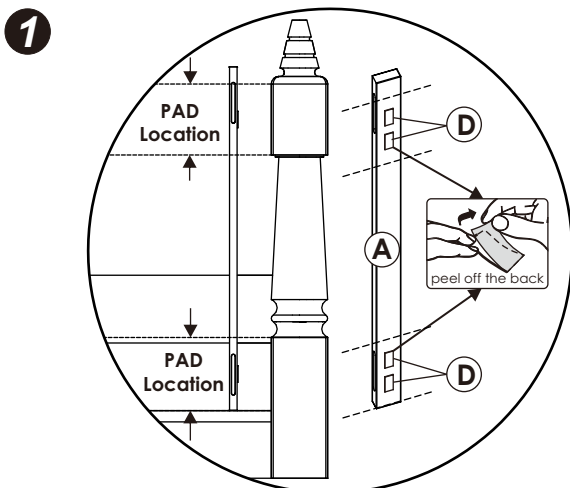


Placing fingers on either side of clip prongs, apply pressure inward until clip unlocks and can be pulled apart.

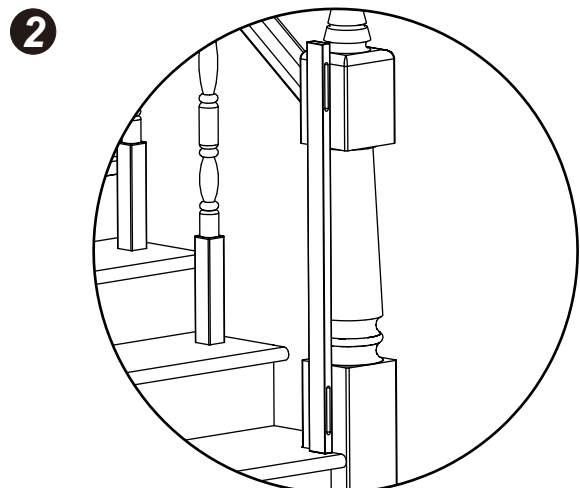
STRAP INSTALLATION



- Thread strap with buckle through openings on the bottom of clip. Lift open buckle locking cover.
- Make sure the rough side of velcro is on the inside of the clip.
- Place clip on the hairy side of velcro and adjust as needed.



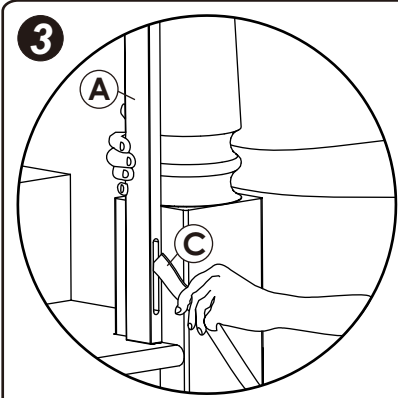
Make sure the pad location is same height as the flat part of the post.



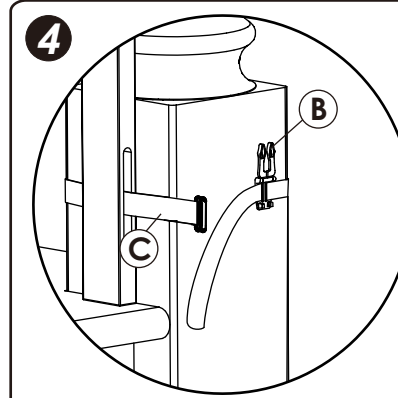
Sticker pad is placed where adapter meets the post.

42" EZ-FIT SAFETY GATE ADAPTER KIT

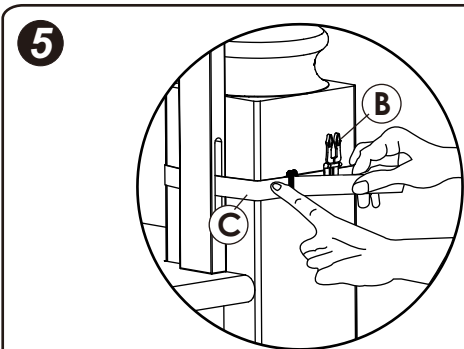
LPA1142



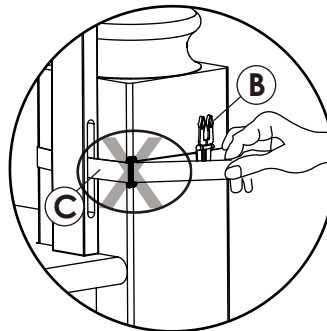
Place adapter firmly against post. Thread strap through **bottom** opening of adapter and wrap around post.



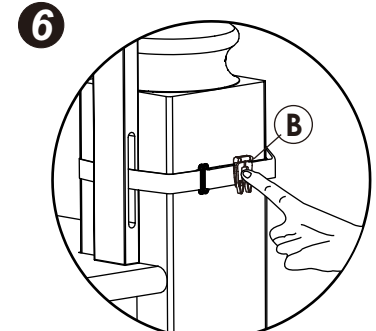
Thread enclosed clip (opened) on to strap.
Your EZ gate is designed to fit a maximum diameter post of 16". Should your post be larger than 16", please call us for a longer strap.



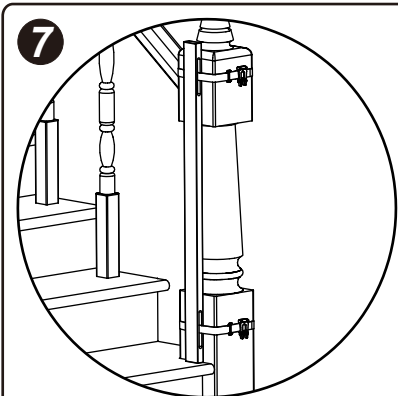
Thread end of strap through metal buckle. Pull strap tight and fold end back over itself to secure. Hold metal buckle with one hand as you pull to tighten strap with other hand.



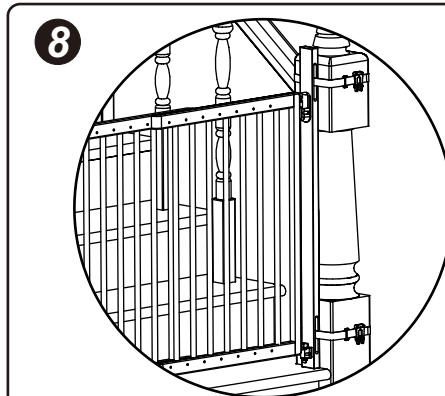
Make sure the metal clasp is **NOT** on the corner.



Close clip over strap, snap locked.
REPEAT ON THE TOP OPENING.



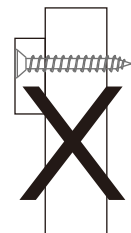
Your EZ-Fit adapter is ready for your safety gate installation.



Install your safety gate using manufacturer's instructions. Some installations may require 2 adapters, one on each side.

IMPORTANT CAUTION

When attaching gate hardware to your EZ Gate, ensure the screws used are **NOT** longer than the thickness of our product. Any protruding screws may damage staircase rails **AND** pose a safety hazard.



PRODUCT PACKAGING INFORMATION

Distributed by **LPA1 LLC.**

501 South 9th Street
Reading, PA 19602 USA

Email: customercare@rbollc.com

Toll Free: 1.800.704.9058

MADE IN CHINA

Model #: **LPA1142**

Color: **WHITE**

Shipment Ref. # _____

Date Code: _____