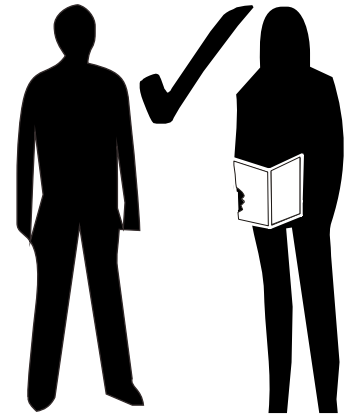


EZ-FIT CHILDREN'S AND PET GATE WALL PROTECTOR WITH LIGHT LPA1103

- **KEEP INSTRUCTIONS FOR FUTURE USE**
- **READ** all instructions **BEFORE** assembly and **USE** of the product.
- Check installation after assembly and periodically at least once a month to ensure unit correctly installed.
- Adult assembly required.
- **CAUTION: FOLLOW ASSEMBLY INSTRUCTIONS OF THE PRESSURE GATE AS EACH GATE MAY ASSEMBLE DIFFERENTLY.**

USEFUL TIP

While one person can assemble this item, it is recommended that two people work together for easier assembly.



IMPORTANT INFORMATION REGARDING BATTERIES

- **Keep the batteries out of children's reach.**
- **Any battery may leak battery acid** if mixed with a different battery type, if inserted incorrectly (put in backwards) or if all batteries are not replaced or recharged at the same time. Do not mix old and new batteries. Do not mix alkaline, standard (carbon-zinc) or rechargeable (nickel-cadmium) batteries.
- **Any battery may leak battery acid** or explode if disposed of in fire or an attempt is made to charge a battery not intended to be recharged. Never recharge a cell of one type in a recharger made for a cell of another type.
- **Discard leaky batteries immediately.** Leaky batteries can cause skin burns or other personal injury. When discarding batteries, be sure to dispose of them in the proper manner, according to your state and local regulations.
- **Always remove batteries** if the product is not going to be used for a month or more. Batteries left in the unit may leak and cause damage.
- **Recommended type batteries**—alkaline disposables, 3AAA. NEVER mix battery types. Change batteries when product ceases to operate satisfactorily.

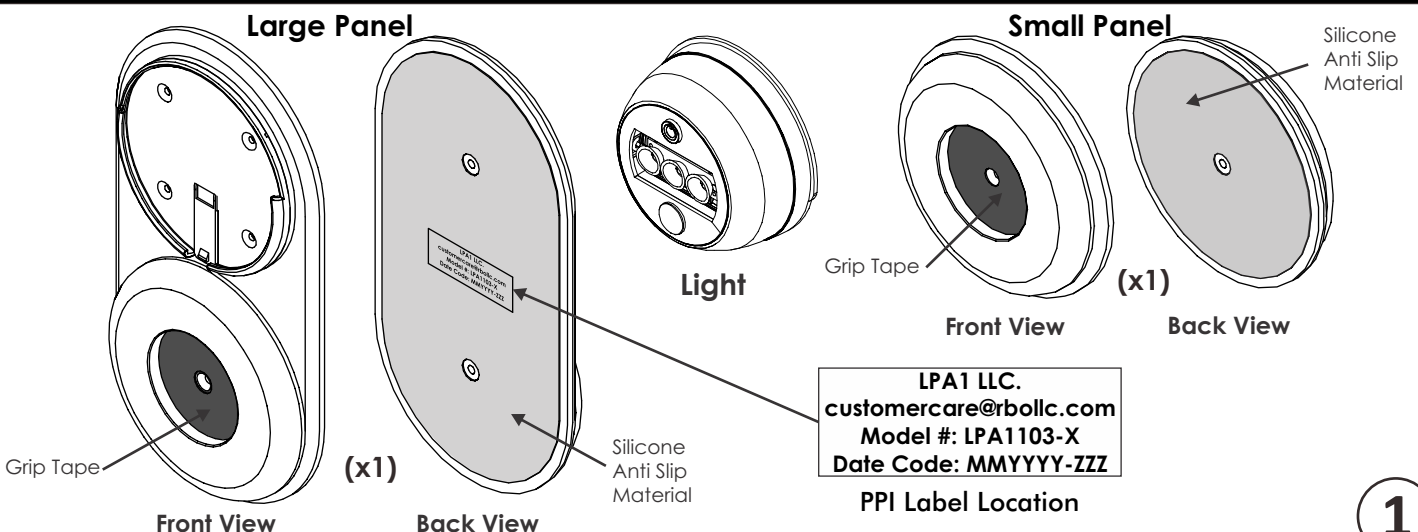
TROUBLESHOOTING:

If your device is not functioning properly, check for the following problems:

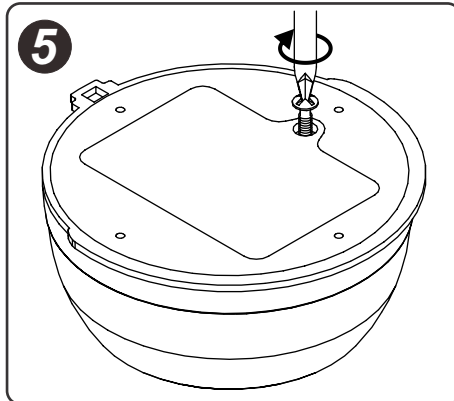
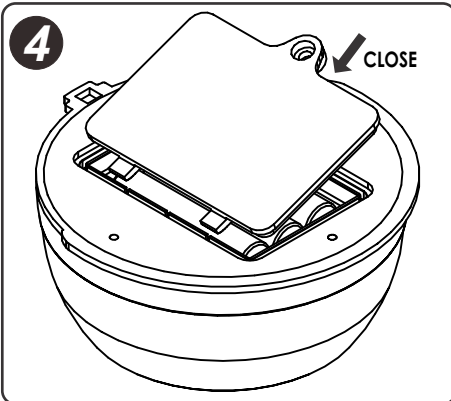
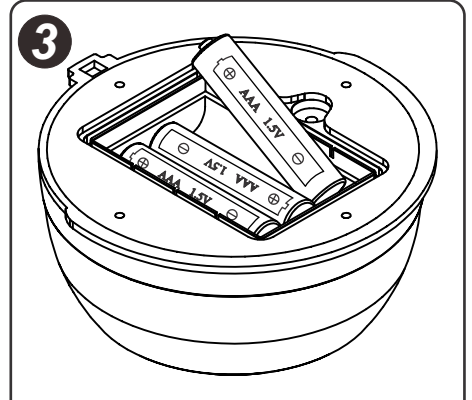
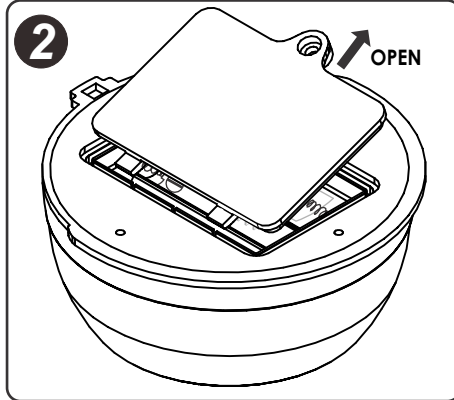
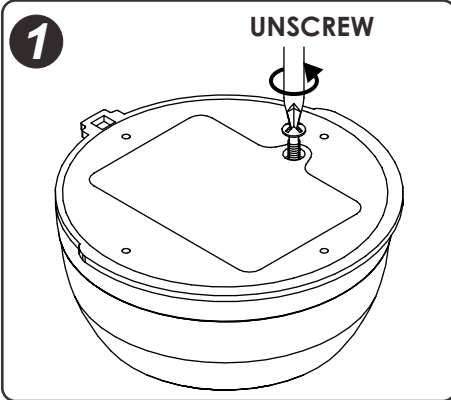
1. No batteries in electronics module.
2. Batteries dead.
3. Batteries in backwards—check "+" and "-".
4. Corrosion on battery terminals. Rotate batteries in place against terminals, or clean with sandpaper or steel wool if corrosion is severe.
5. Batteries too weak.

If you still have problems, call our toll-free number: 1.800.704.9058 or email: customercare@rbollc.com

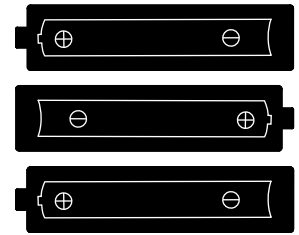
PART LIST



BATTERY INSTALLATION

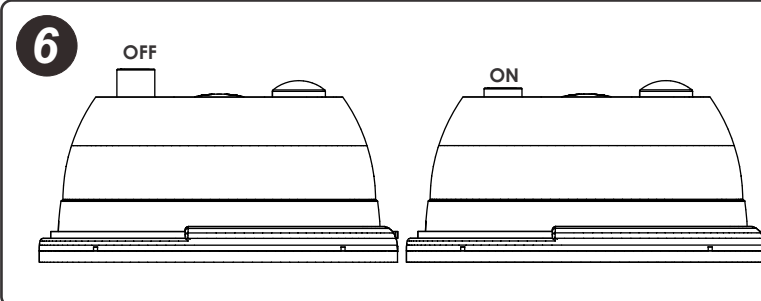


AAA

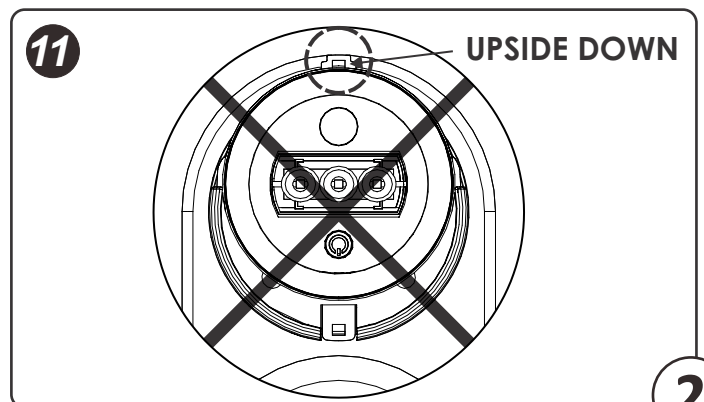
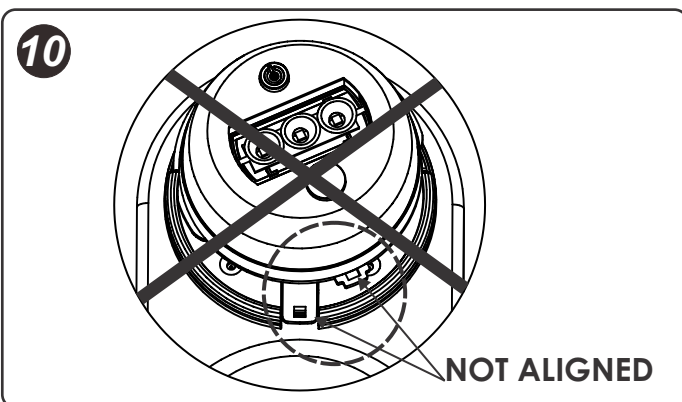
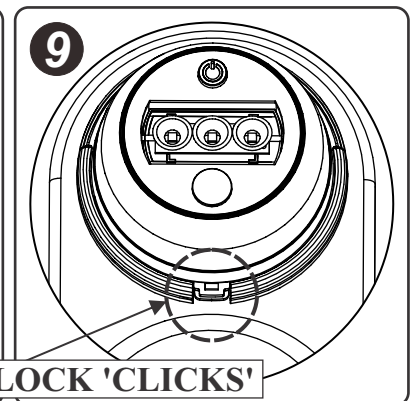
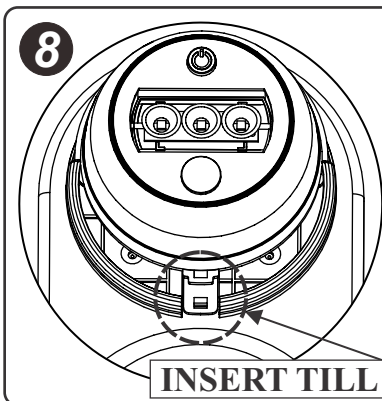
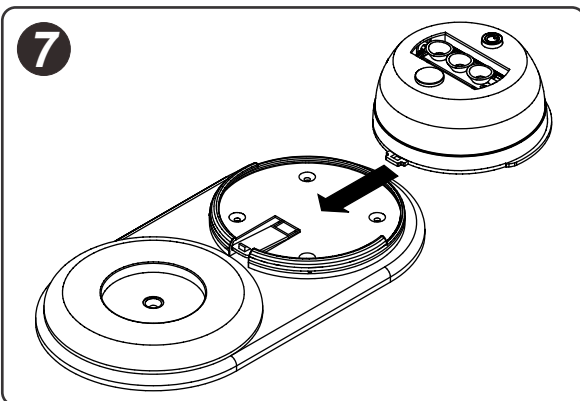


Three AAA Batteries required. NOT included. Align batteries as shown on inside of compartment.

LIGHT ASSEMBLY INSTRUCTION

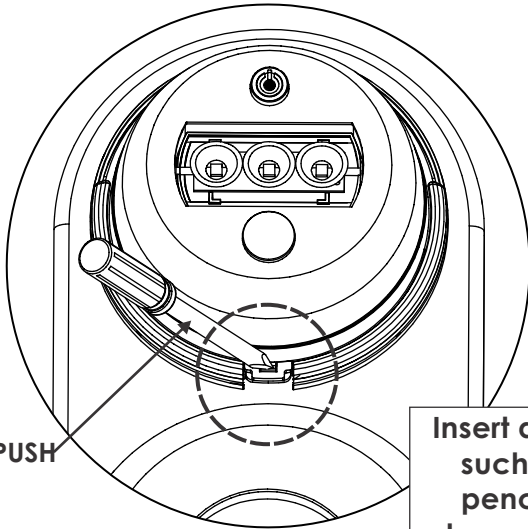


Your light has an ON/OFF switch. Push in to activate the sensor light. Push in again, to prevent light from coming on when Motion occurs around light. Once batteries are installed it is recommended to test your light to ensure product works correctly before you install onto the base. To do this, turn on the light and find a dark area and move hand in front of sensor. Light is programmed to stay on for 15 seconds.



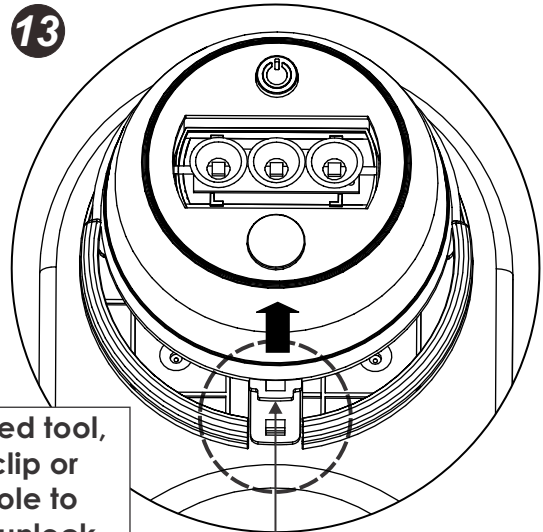
REMOVING THE LIGHT

12



UNLOCKED

13

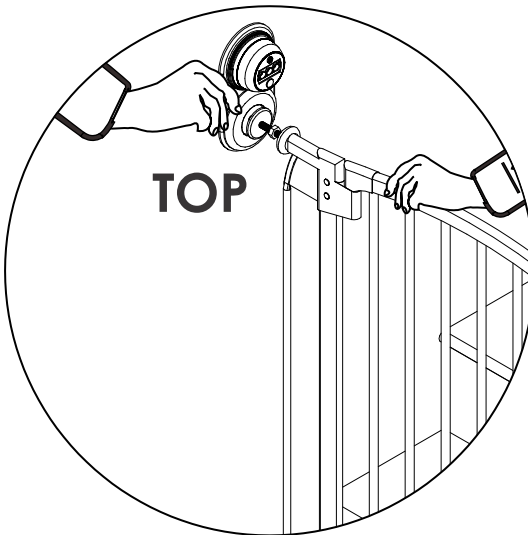


REMOVE

Insert a small pointed tool, such as a paperclip or pencil, into the hole to depress the tab to unlock.

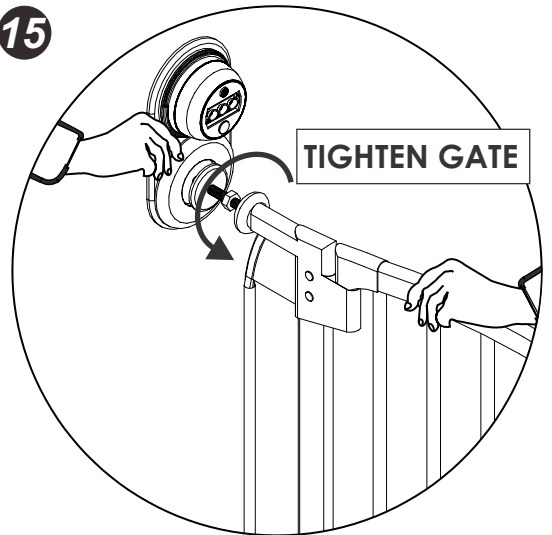
LOCATION OF YOUR EZ FIT WALL PROTECTOR WITH LIGHT

14



TOP

15

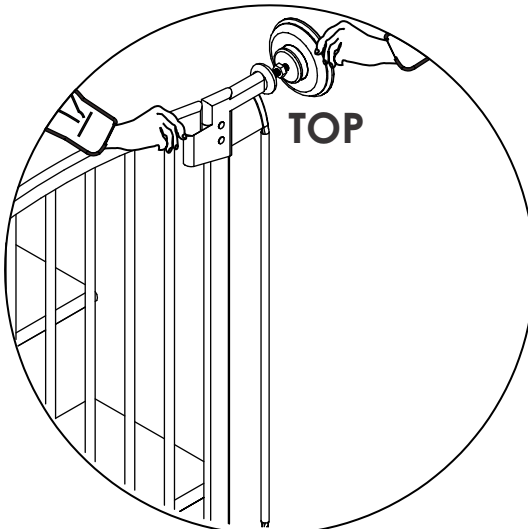


TIGHTEN GATE

Assembly of your EZ Fit protector is easier if you have help. An extra set of hands to hold the unit in place while you tighten the gate is recommended.

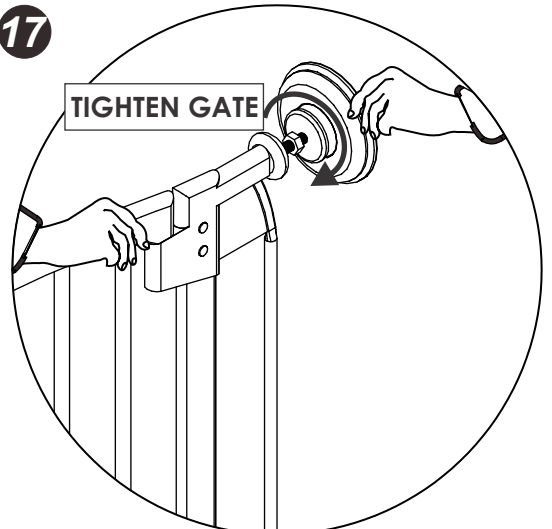
LOCATION OF YOUR EZ FIT WALL PROTECTOR

16



TOP

17



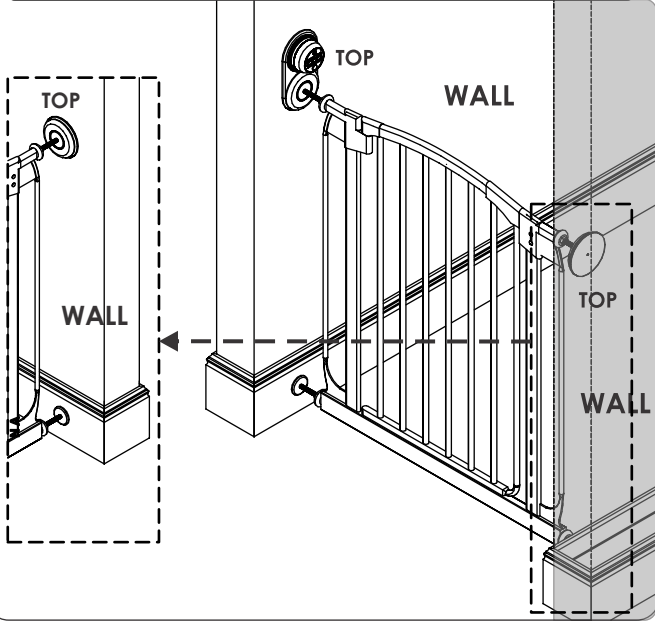
TIGHTEN GATE



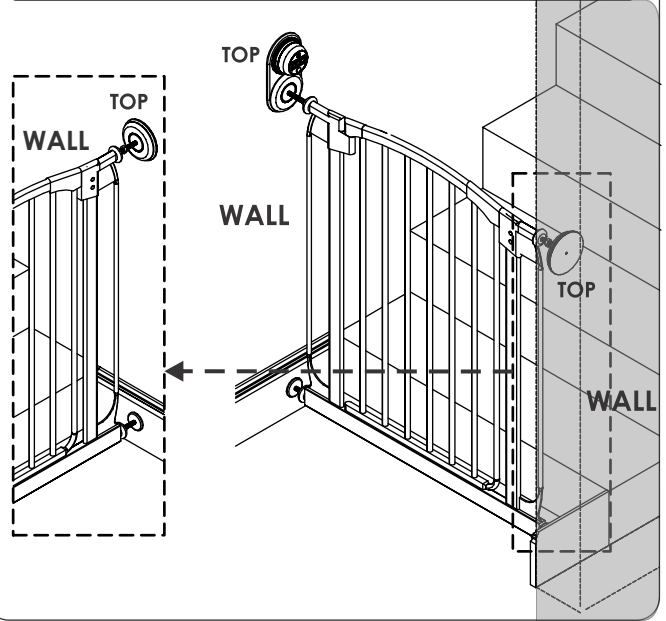
CAUTION: FOLLOW ASSEMBLY INSTRUCTIONS OF THE PRESSURE GATE AS EACH GATE DIFFERS SLIGHTLY FOR CORRECT INSTALLATION.

DIFFERENT OPTIONS FOR YOUR EZ FIT PROTECTORS

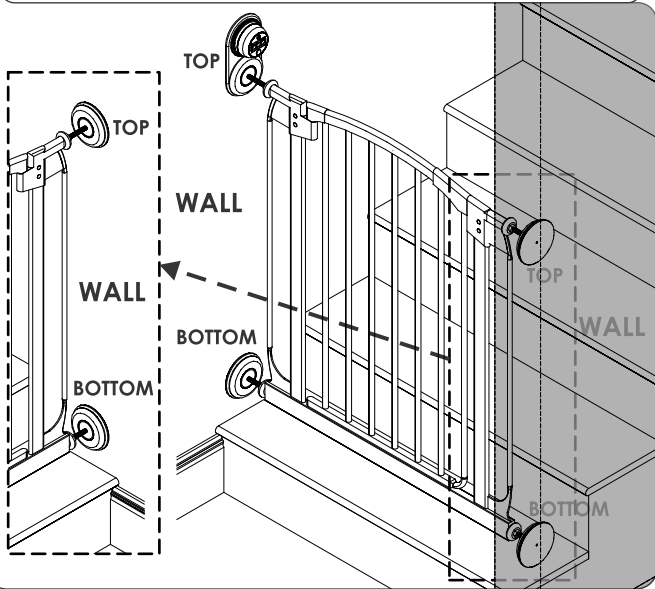
One SET - Top and Top on both sides of wall with base boards



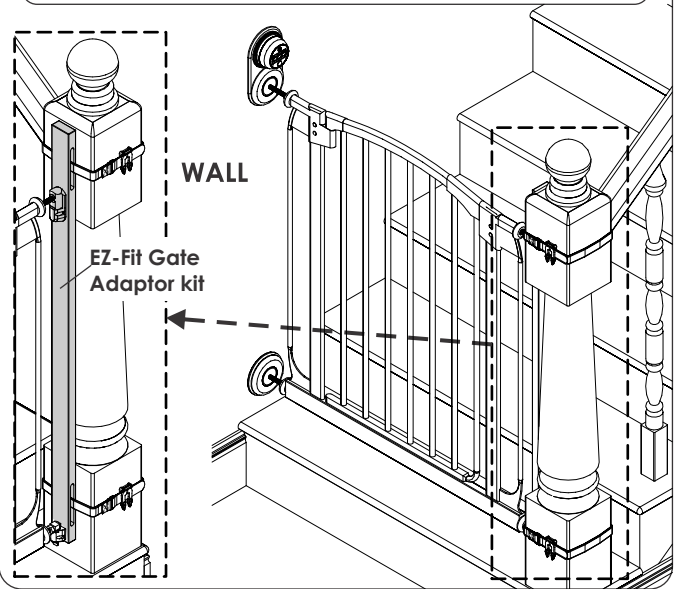
One SET - Top and Top on both sides of wall with base boards



TWO SETS - Top and Bottom on both side on first step. Need a second set of two small round EZ Fit Protectors please call or order on line



One SET- Top and Bottom on one side on first step. And EZ-Fit Gate Adaptor kit. To order the EZ fit gate call or order on line.



PRODUCT PACKAGING INFORMATION

Distributed by

LPA1 LLC.

501 South 9th Street

Reading, PA 19602 USA

Email: customercare@rbollc.com

Toll Free: 1.800.704.9058

MADE IN CHINA

Model #: _____

Color: _____

Shipment Ref.#. _____

Date Code: _____