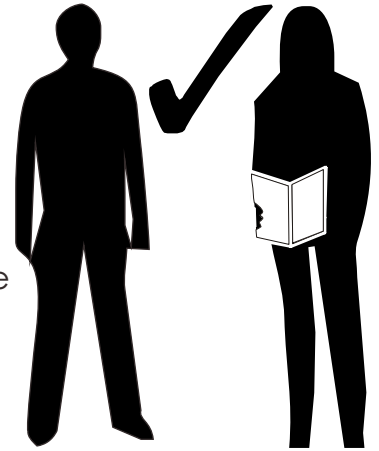


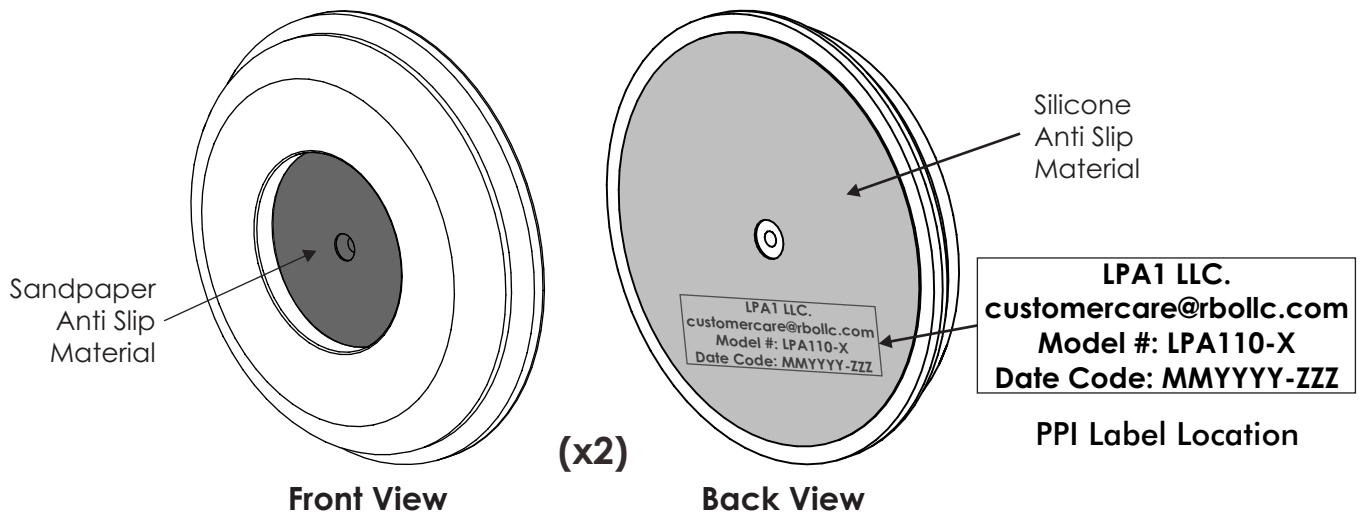
- **KEEP INSTRUCTIONS FOR FUTURE USE**
- **READ** all instructions **BEFORE** assembly and **USE** of the product.
- Check installation after assembly and periodically at least once a month to ensure unit correctly installed.
- Adult assembly required.
- **CAUTION: FOLLOW ASSEMBLY INSTRUCTIONS OF THE PRESSURE GATE AS EACH GATE MAY ASSEMBLE DIFFERENTLY.**

USEFUL TIP

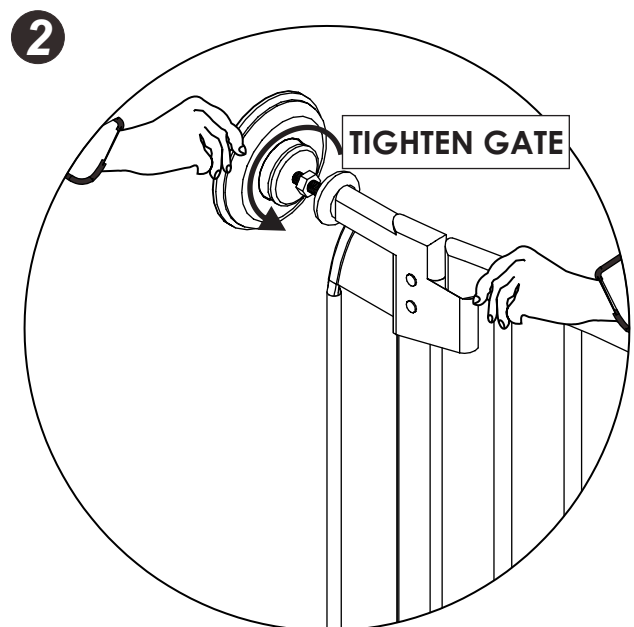
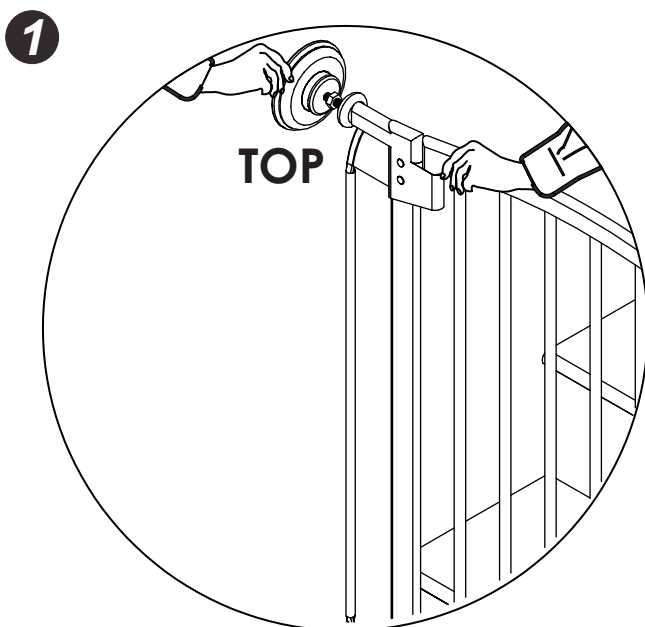
While one person can assemble this item, it is recommended that two people work together for easier assembly.



PART LIST



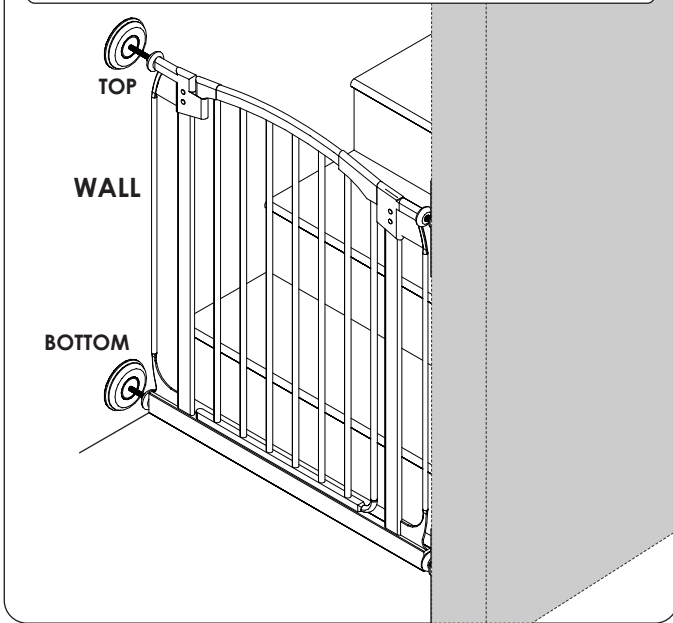
LOCATION OF YOUR EZ FIT WALL PROTECTOR



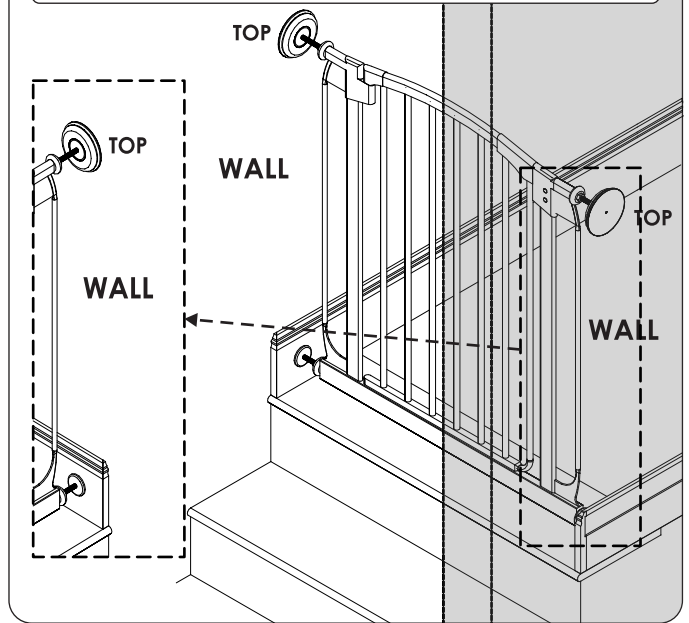
CAUTION: FOLLOW ASSEMBLY INSTRUCTIONS OF THE PRESSURE GATE AS EACH GATE DIFFERS SLIGHTLY FOR CORRECT INSTALLATION.

DIFFERENT OPTIONS FOR YOUR EZ FIT PROTECTORS

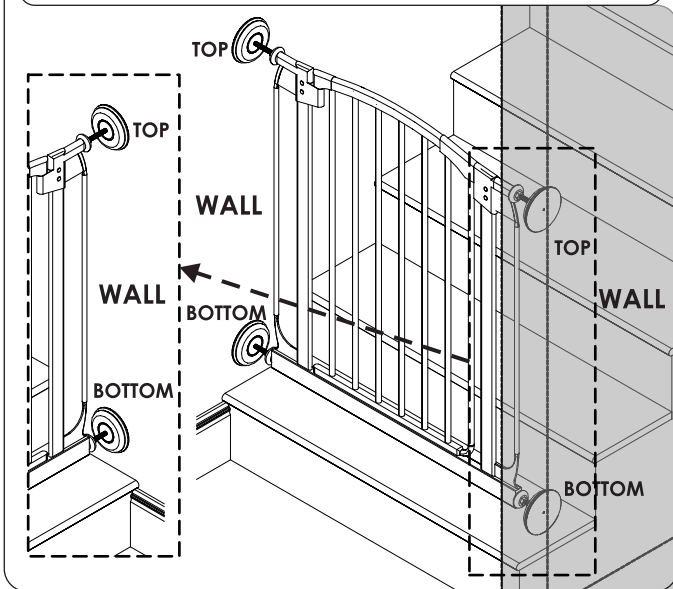
1 One SET - Top and Bottom on one side on first step. NO baseboard



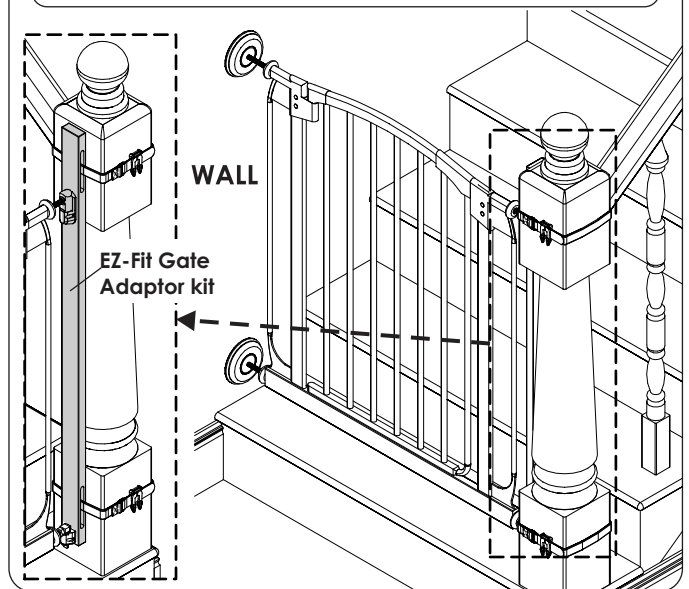
2 One SET - Top and Top on both sides of wall with base boards



3 TWO SETS - Top and Bottom on both side on first step. Need a second set please call or order on line.



4 One SET- Top and Bottom on one side on first step. And EZ-Fit Gate Adaptor kit. To order the EZ fit gate call or order on line.



PRODUCT PACKAGING INFORMATION

Distributed by **LPA1 LLC.**

501 South 9th Street

Reading, PA 19602 USA

Email: customercare@rbollc.com

Toll Free: 1.800.704.9058

MADE IN CHINA

Model #: _____

Color: _____

Shipment Ref.#. _____

Date Code: _____